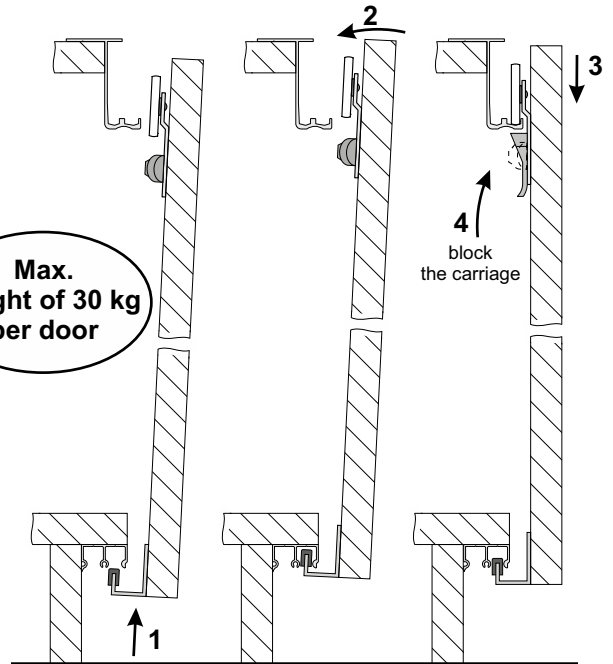


ATTENTION
 Door height should be greater than body height (without the plinth) by exactly 16 mm.
 Top flange should be moved back by 14 mm in relation to the bottom flange and should be fastened firmly.
 Thickness of board: max. 20 mm.

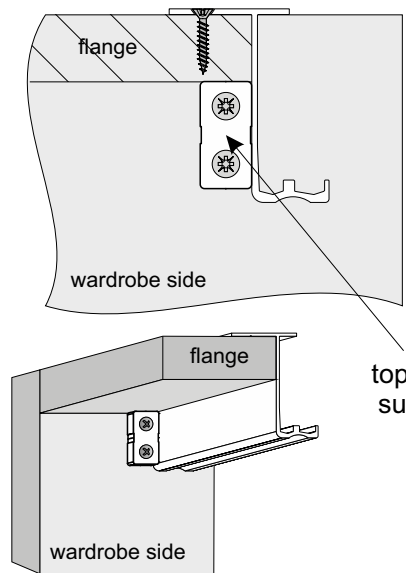
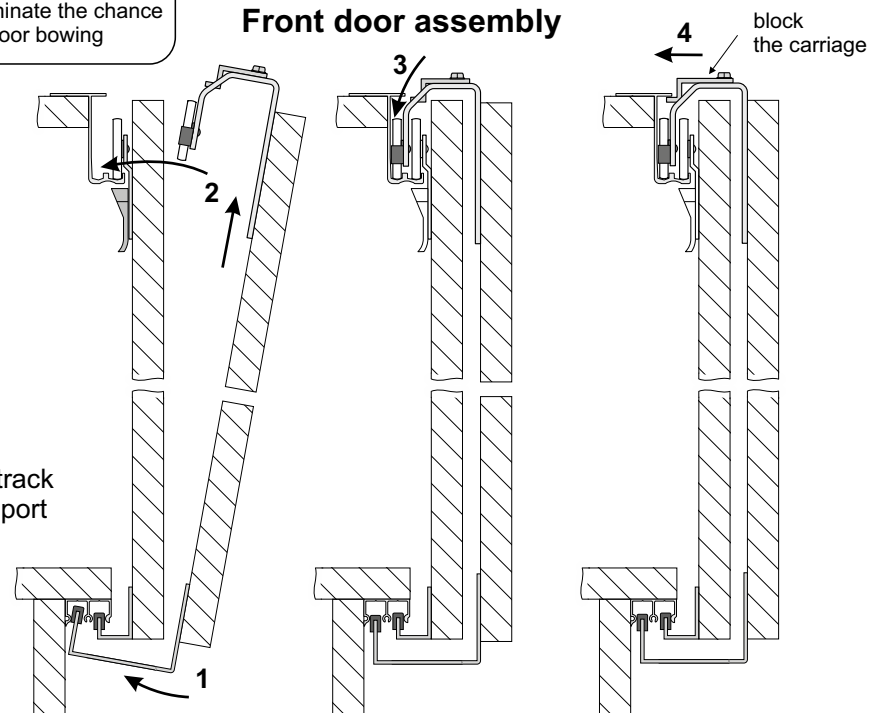
Rear door assembly



Max. weight of 30 kg per door

Attention!
 With system Optima, it is recommended to use Sevroll's door straightening kits to eliminate the chance of door bowing

Front door assembly



COMPONENTS

Top track Optima
 L: 2.00 m, 2.40 m

Bottom track Optima
 L: 2.00 m, 2.40 m

Set for sliding doors Optima II - 2 door wings

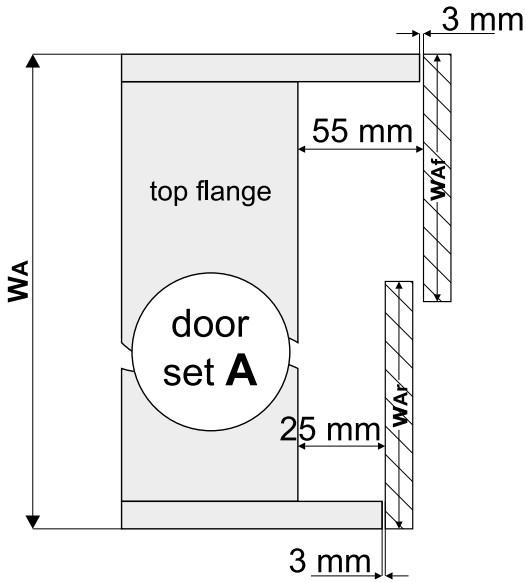
OPTION

Handle Optima 18
 L: 2.40 m



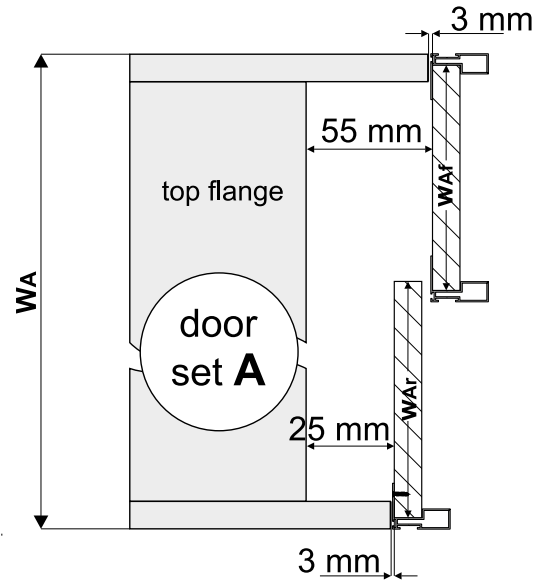
board width calculation

door without vertical profiles
(taking edging into account)



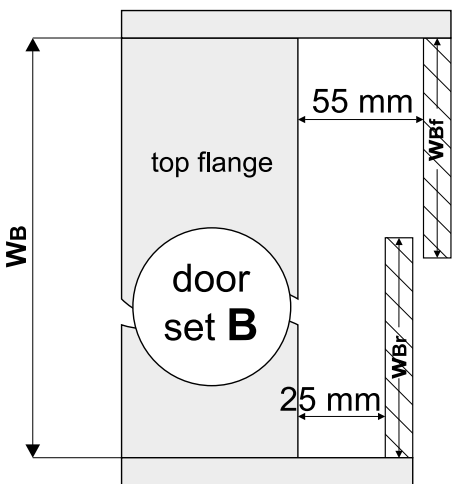
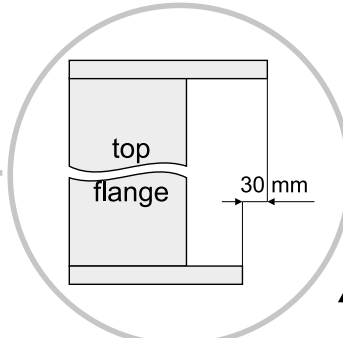
$$W_{Af} = W_{Ar} = (W_A + 20 \text{ mm}) : 2$$

door with vertical profiles (handles)
rear door - 1 handle
front door - 2 handles

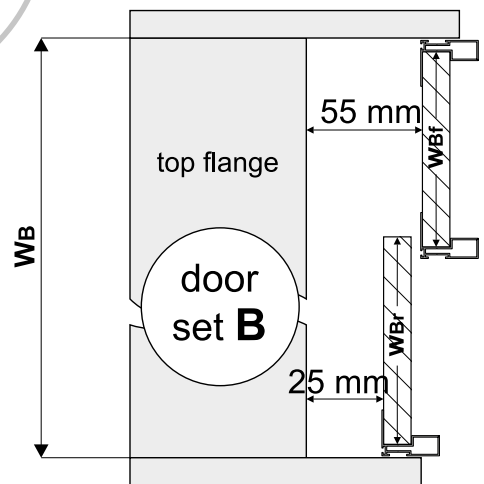


$$W_{Af} = [(W_A + 20 \text{ mm}) : 2] - 14$$

$$W_{Ar} = [(W_A + 20 \text{ mm}) : 2] - 7$$

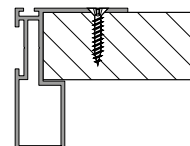


$$W_{Bf} = W_{Br} = (W_B + 20 \text{ mm}) : 2$$



$$W_{Bf} = [(W_B + 20 \text{ mm}) : 2] - 14$$

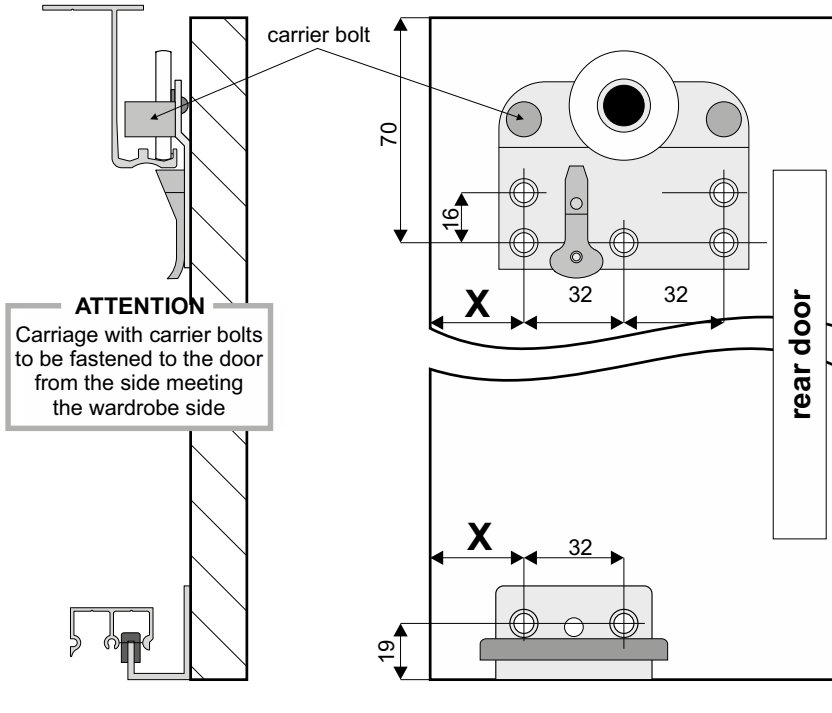
$$W_{Br} = [(W_B + 20 \text{ mm}) : 2] - 7$$



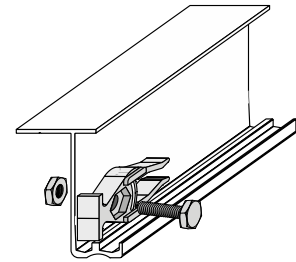
handle to be fastened with a minimum of 4 screws



Fastening of carriages and guides to the rear door

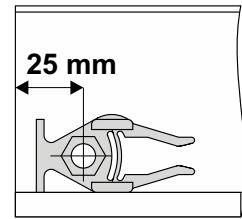


Fastening of stopper to the top track

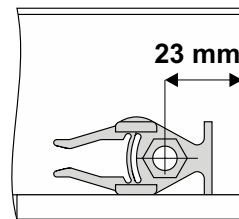


drill an opening in a track $\varnothing 6$

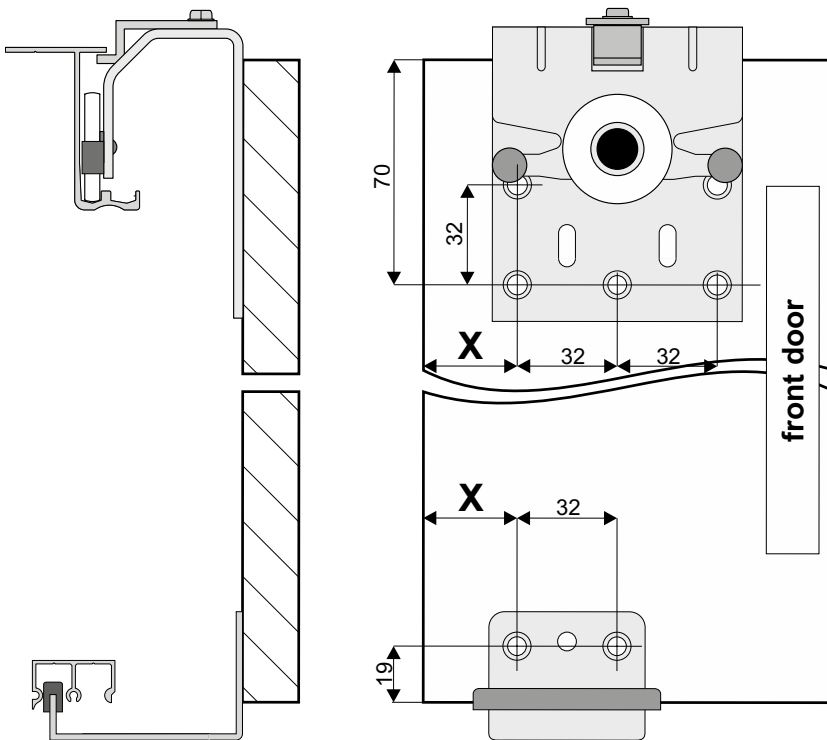
rear door (set A and B)
door without and
with vertical profiles (handles)



front door (set A and B)
door without and
with vertical profiles (handles)



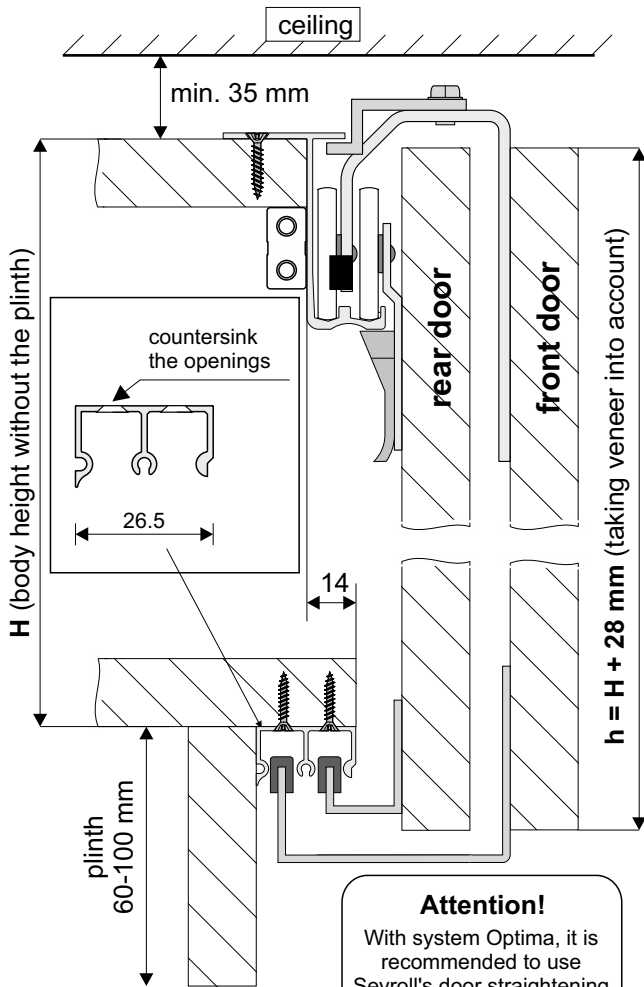
Fastening of carriages and guides to the front door



distance	door without vertical profiles		door with vertical profiles (handles)	
	door set A	door set B	door set A	door set B
x	58 mm	40 mm	51 mm	31 mm



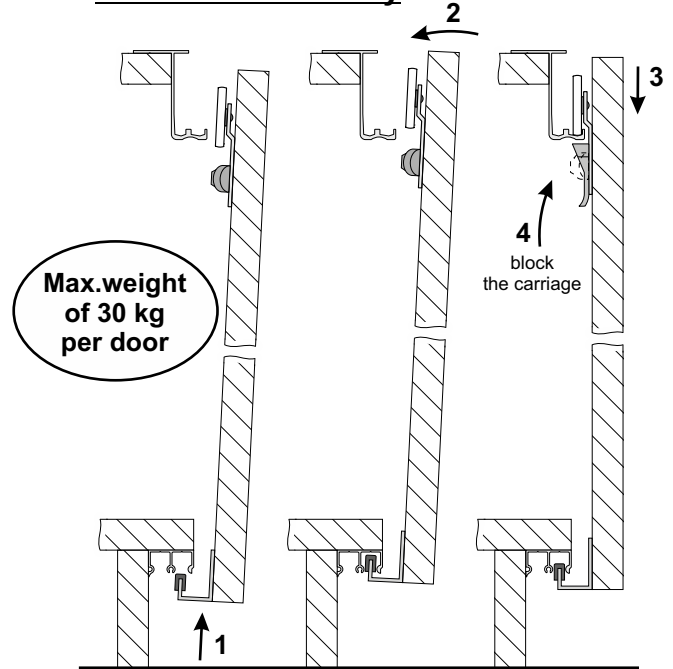
Optionally, instead of stoppers, soft-close **Optima** can be used (purchased separately)



ATTENTION

Door height should be greater than body height (without the plinth) by exactly 28 mm. Top flange should be moved back by 13 mm in relation to the bottom flange and should be fastened firmly. Thickness of board: max. 20 mm.

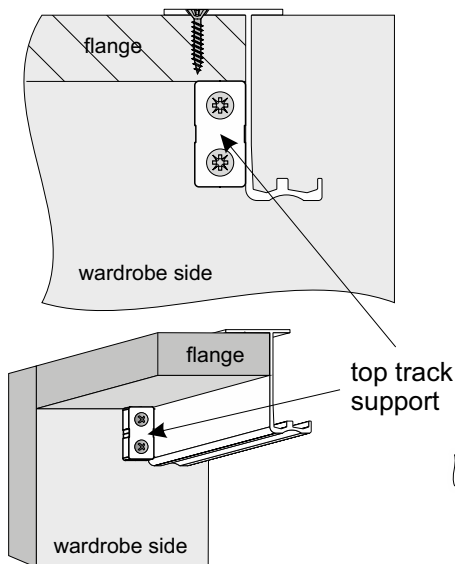
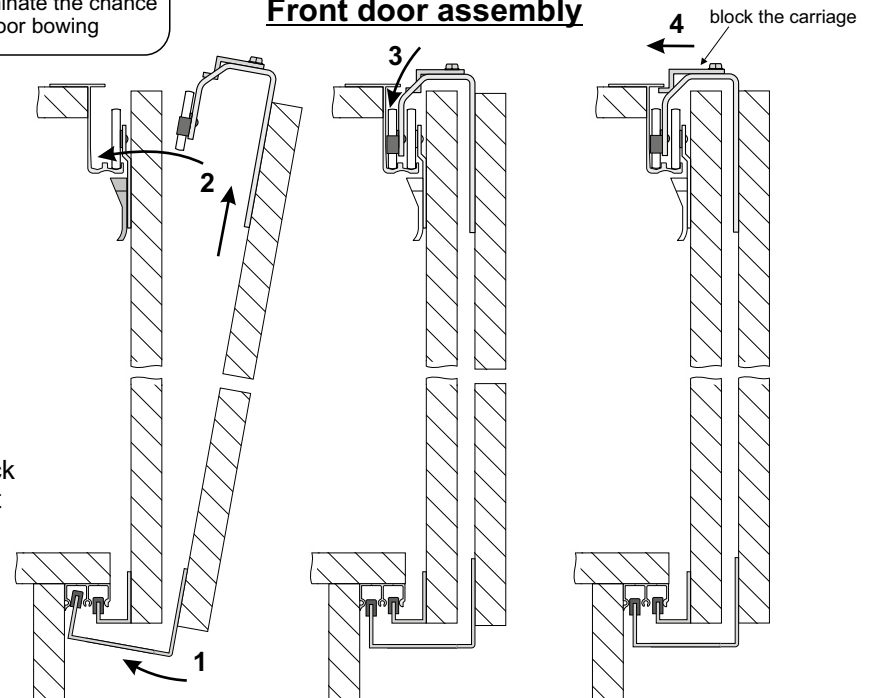
Rear door assembly



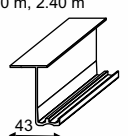
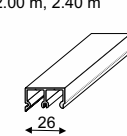
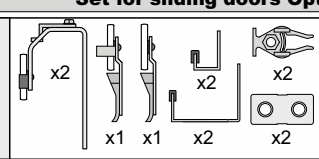
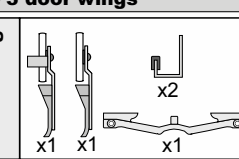
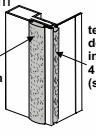
Attention!

With system Optima, it is recommended to use Sevrill's door straightening kits to eliminate the chance of door bowing

Front door assembly



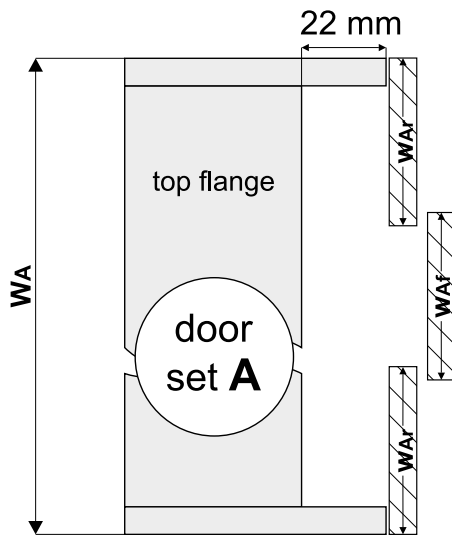
COMPONENTS

Top track Optima	Bottom track Optima	Set for sliding doors Optima II - 3 door wings	OPTION
L: 2.00 m, 2.40 m 	L: 2.00 m, 2.40 m 	<p>2 door wings</p>  <p>1 door wing</p> 	<p>Handle Optima 18</p> <p>L: 2.40 m</p>  <p>anti-dust brush inserted 14 x 4 mm (set A)</p> <p>textile door stop inserted 4 x 4.8 mm (set A)</p> <p>#18</p>



board width calculation

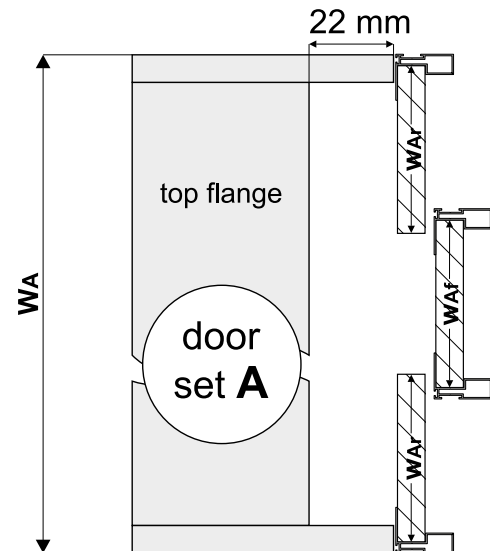
door without vertical proles (taking edging into account)



$$W_{Af} = W_{Ar} = (W_A + 40 \text{ mm}) : 3$$

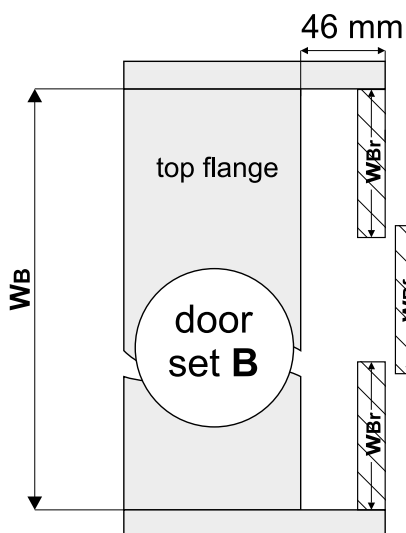
door with vertical proles (handles)

rear door - 1 handle
front door - 2 handles

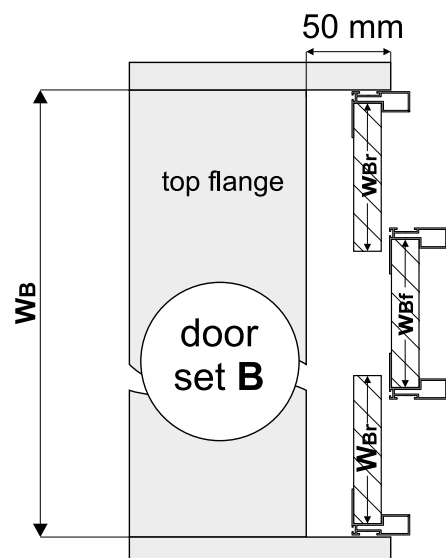


$$W_{Af} = [(W_A + 40 \text{ mm}) : 3] - 14$$

$$W_{Ar} = [(W_A + 40 \text{ mm}) : 3] - 7$$

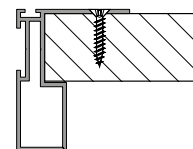


$$W_{Bf} = W_{Br} = (W_B + 40 \text{ mm}) : 3$$



$$W_{Bf} = [(W_B + 40 \text{ mm}) : 3] - 14$$

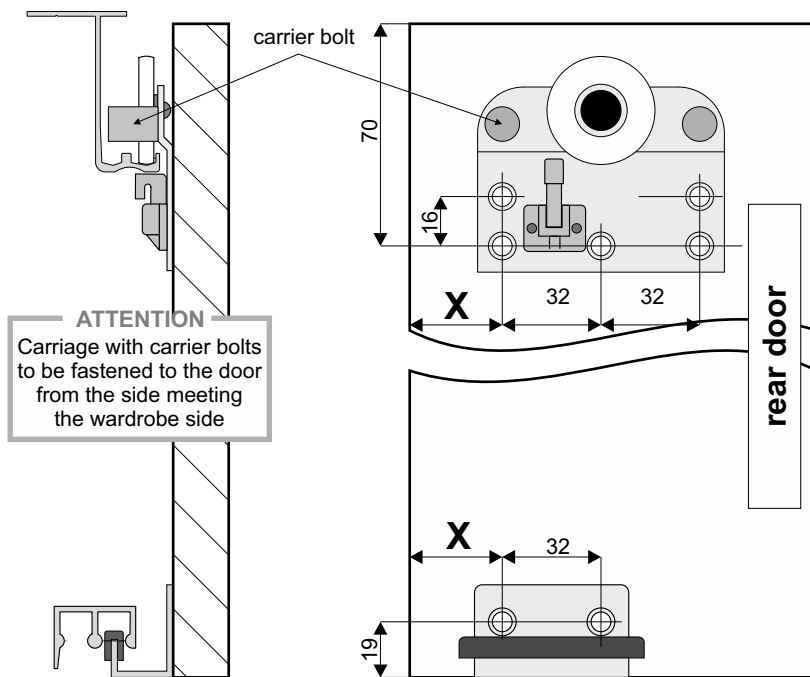
$$W_{Br} = [(W_B + 40 \text{ mm}) : 3] - 7$$



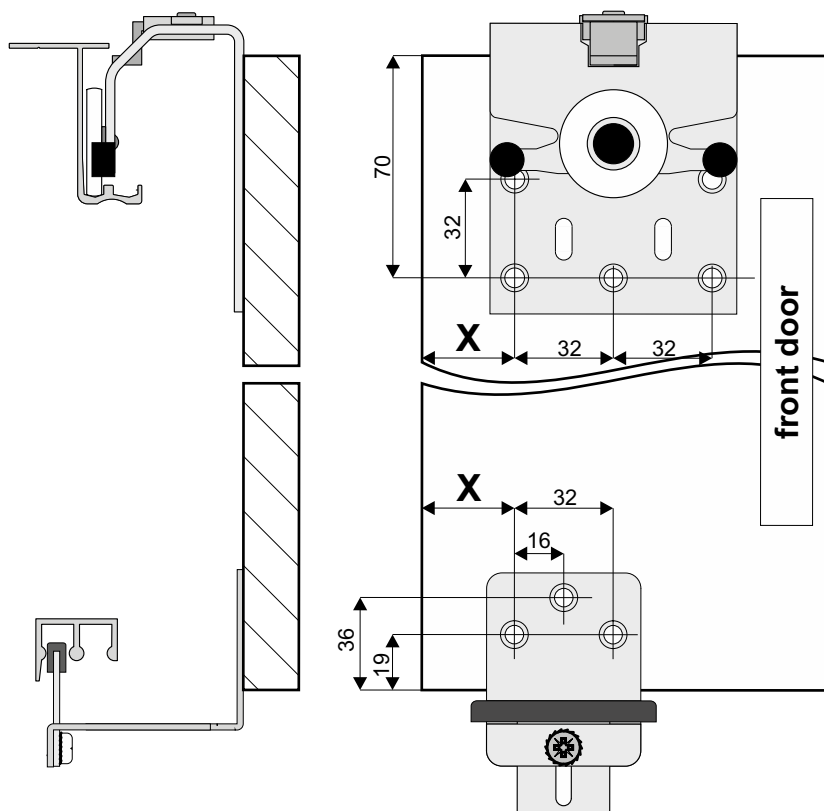
handle to be fastened with a minimum of 4 screws



Fastening of carriages and guides to the rear door

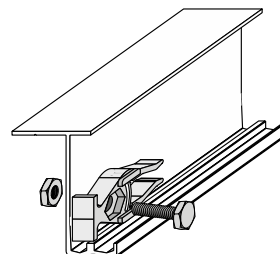


Fastening of carriages and guides to the front door

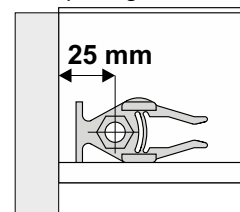


Fastening of stopper to the top track

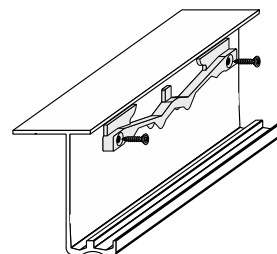
rear door (set A and B)
door without and
with vertical poles (handles)



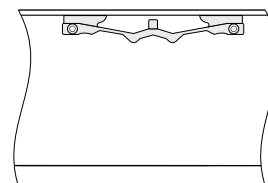
drill opening in track $\varnothing 6$



front door
(fasten after door assembly)



use self-tapping screw $\varnothing 3.5$
or drill opening in track $\varnothing 2.5$
and use Unix screw $\varnothing 3.5$



distance	door without vertical profiles		door with vertical profiles (handles)	
	door set A	door set B	door set A	door set B
X	58 mm	40 mm	51 mm	31 mm



Optionally, instead of stoppers, soft-close **Optima** can be used, purchased separately (only for rear door)