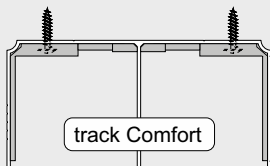
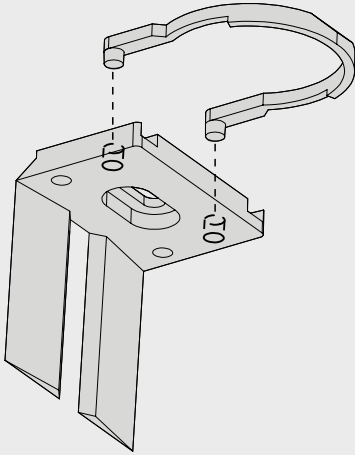


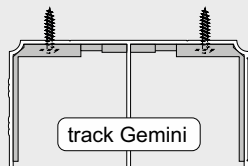
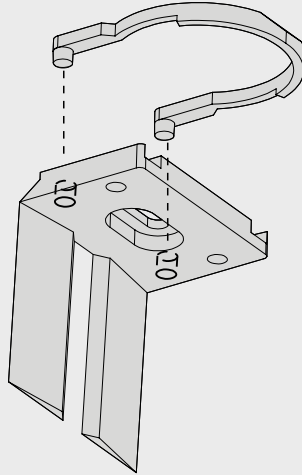


Positioner FIX

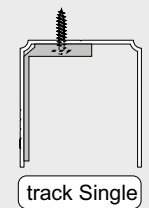
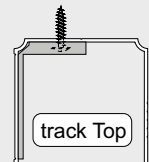
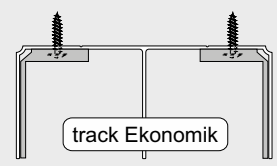
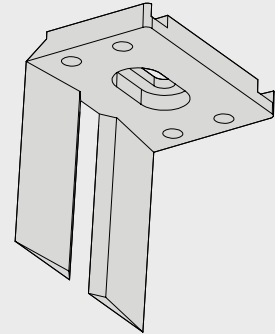
with systems:
**COMFORT 10,
COMFORT 18**



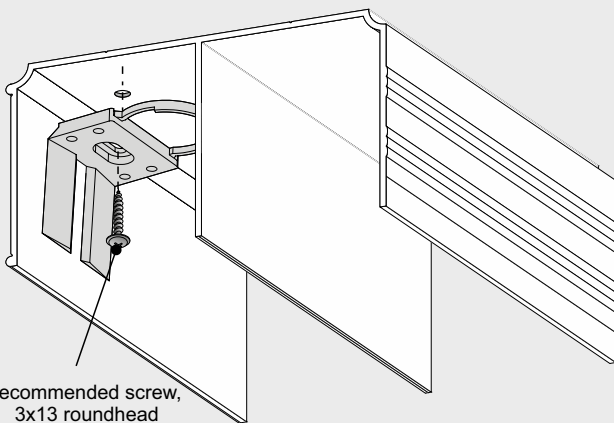
with systems:
**GEMINI 4, GEMINI 10,
GEMINI 18,
GEMINI 18 Frame**



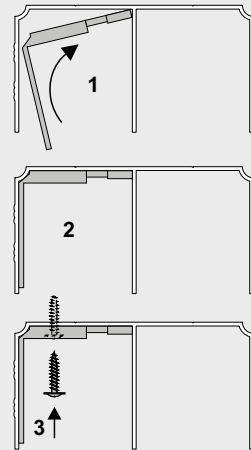
with systems:
**SINGLE 10,
SINGLE 18 Frame,
TOP10, EKONOMIK**



Installation of positioner in top track



recommended screw,
3x13 roundhead
(code: 20096)



COMPONENTS

Top guide positioner FIX

