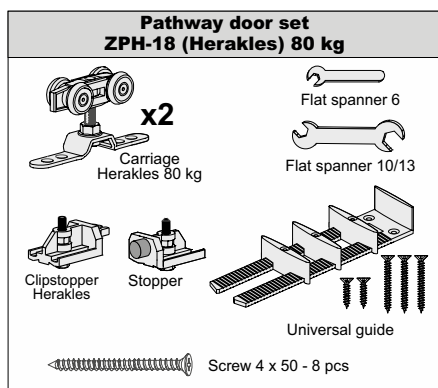
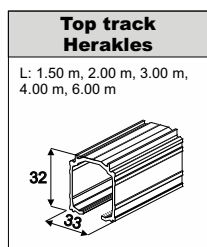
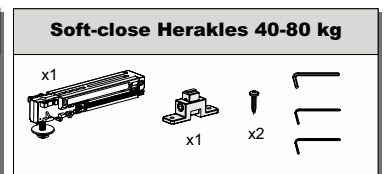
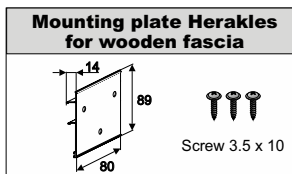
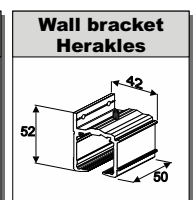
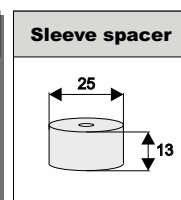
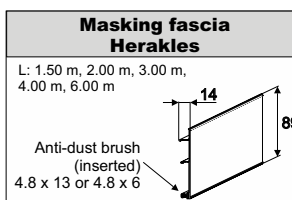
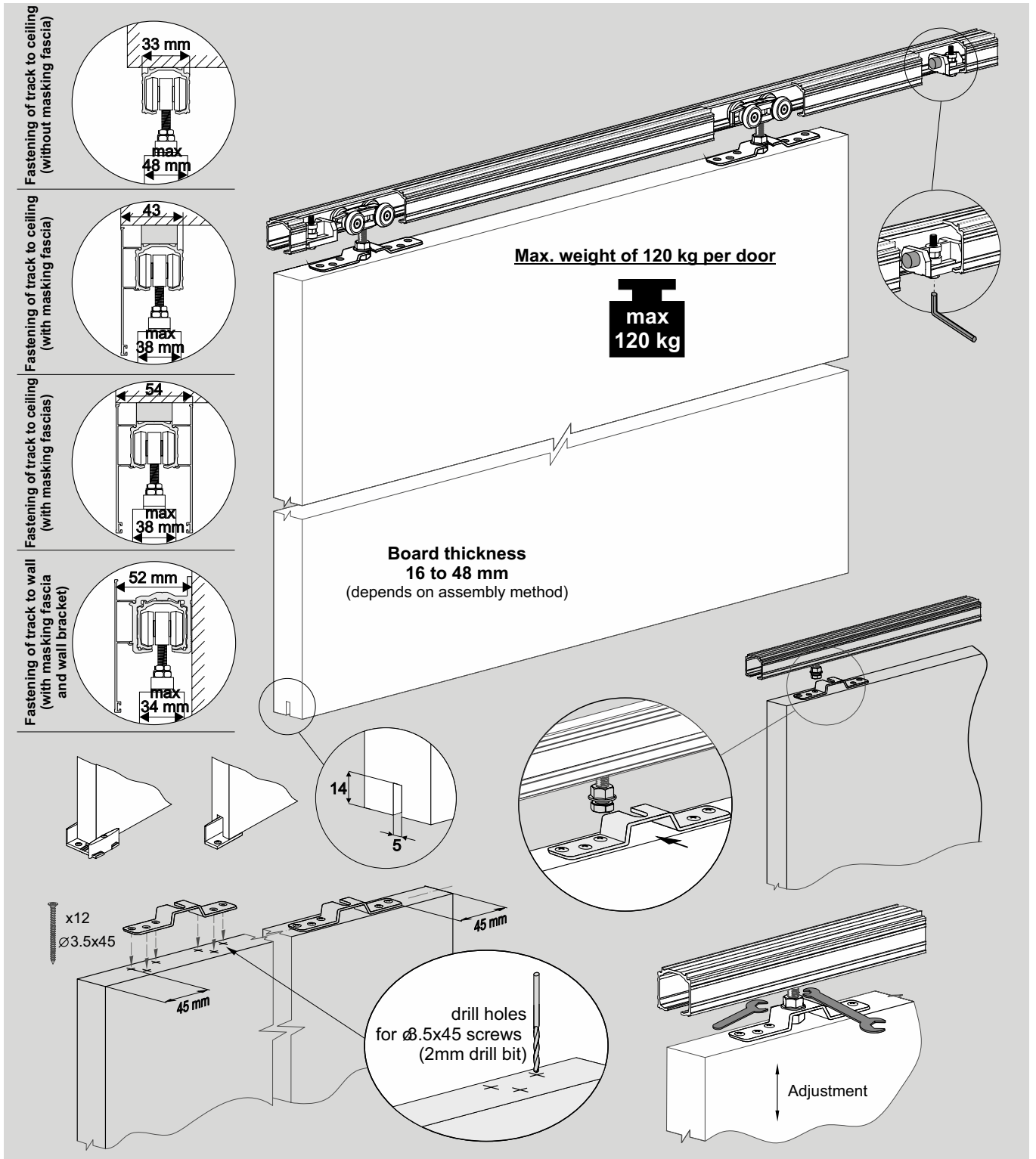


COMPONENTS



OPTIONS





COMPONENTS

Top track Herakles
L: 1.50 m, 2.00 m, 3.00 m, 4.00 m, 6.00 m

Pathway door set ZPH-18 (Herakles) 120 kg

x2 Carriage Herakles 120 kg
Flat spanner 6/13
Flat spanner 13

x2 Stopper Herakles
Allen key 4

Screw 3.5 x 45 - 12 pcs
Universal guide

OPTIONS

Masking fascia Herakles
L: 1.50 m, 2.00 m, 3.00 m, 4.00 m, 6.00 m

Anti-dust brush (inserted)
4.8 x 13 or 4.8 x 6

Sleeve spacer

Wall bracket Herakles

Mounting plate Herakles for wooden fascia

Screw 3.5 x 10

Soft-close Herakles 40-80 kg



1. Track within the opening

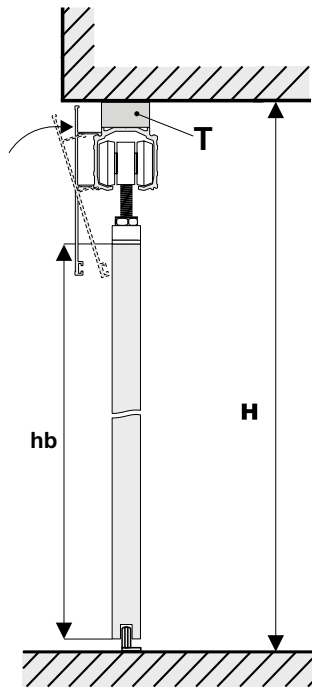
Board height - hb:

$$hb = H - 81 \text{ mm}$$

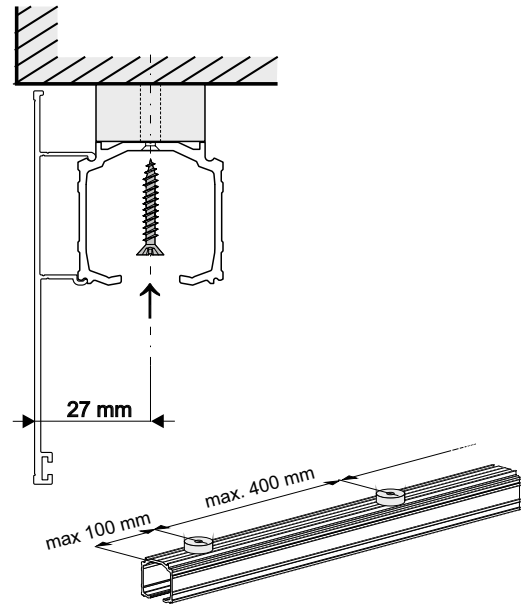
H - height of the opening

Without sleeve spacer T

$$hb = H - 68 \text{ mm}$$



Top fastening of HERAKLES track
- max. weight of 80 kg, 120 kg per door

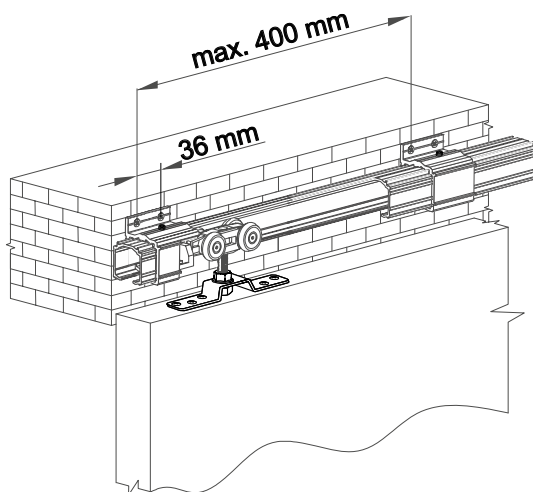


2. Track outside the opening

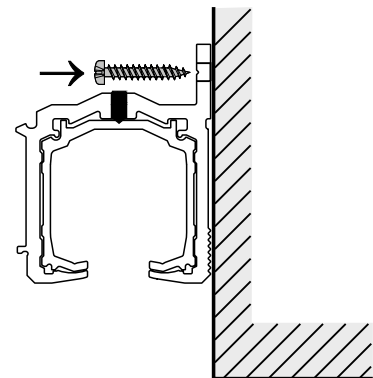
Board height hb:

$$hb = H - 79 \text{ mm}$$

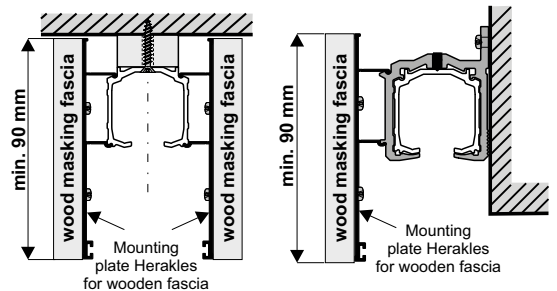
H - height from floor base to top of track



Side fastening of HERAKLES track
- max. weight of 80 kg, 120 kg per door

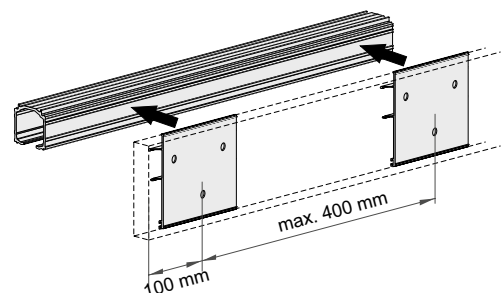


Wooden masking fascia installation



ATTENTION!

In cases that it will not be possible to insert carriages after the installation of the top track, carriages should be inserted prior to track installation.



ATTENTION!

Remove protective film from aluminium elements (handles, tracks, connectors, etc.) prior to cutting them to the desired size. Film removal will reveal quality issues (eg. scratches)