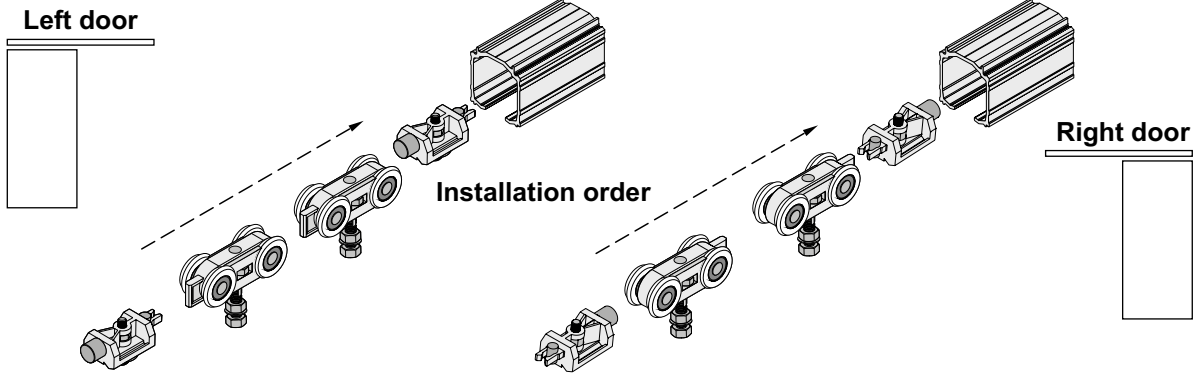


COMPONENTS

<p>Top track Herakles</p> <p>L: 1.50 m, 2.00 m, 3.00 m, 4.00 m, 6.00 m</p>	<p>Pathway door set ZPH-GLASS (Herakles Glass) 100 kg</p> <p>Carriage Herakles x2</p> <p>Stopper/bumper Herakles x2</p> <p>Flat spanner 6/13</p> <p>Flat spanner 10/13</p> <p>Clamp for glass Herakles x2</p> <p>Allen key 3/4/5</p> <p>Universal guide</p> <p>Gaskets x2</p> <p>10 mm</p> <p>8 mm</p> <p>Activator for soft-close Herakles Glass</p>
<p>Wall bracket Herakles</p>	

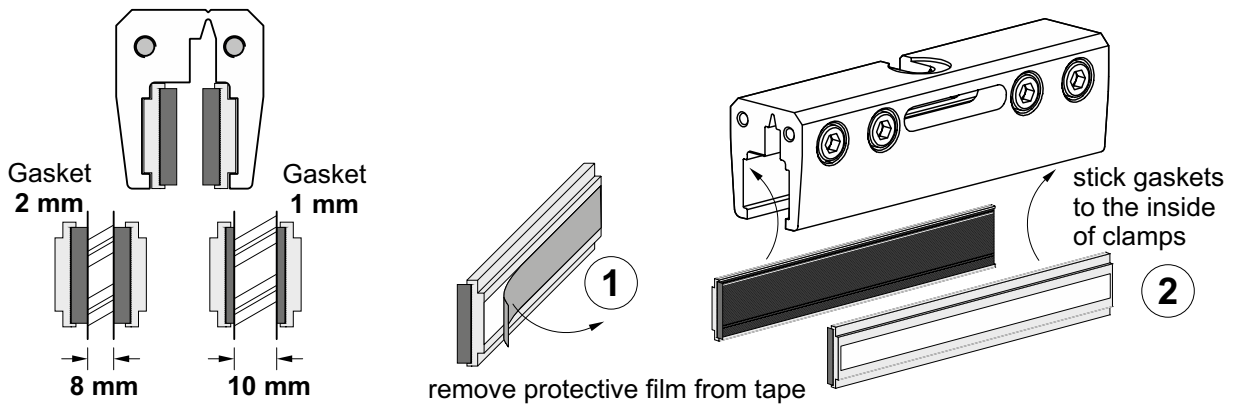
OPTIONS

<p>Masking fascia Herakles</p> <p>L: 1.50 m, 2.00 m, 3.00 m, 4.00 m, 6.00 m</p> <p>Anti-dust brush (inserted) 4.8 x 13</p>	<p>Mounting plate Herakles for wooden fascia</p> <p>Screw 3.5x10</p>	<p>Self-adhesive</p> <p>TYPE-C</p> <p>TYPE-O</p>
<p>Soft-close Herakles 40-80 kg</p>	<p>Activator for soft-close Herakles Glass (set)</p>	



Mounting gasket spacers in clamp Herakles Glass

Depending on the thickness of glass (8 or 10 mm)
use gaskets 2 mm or 1 mm

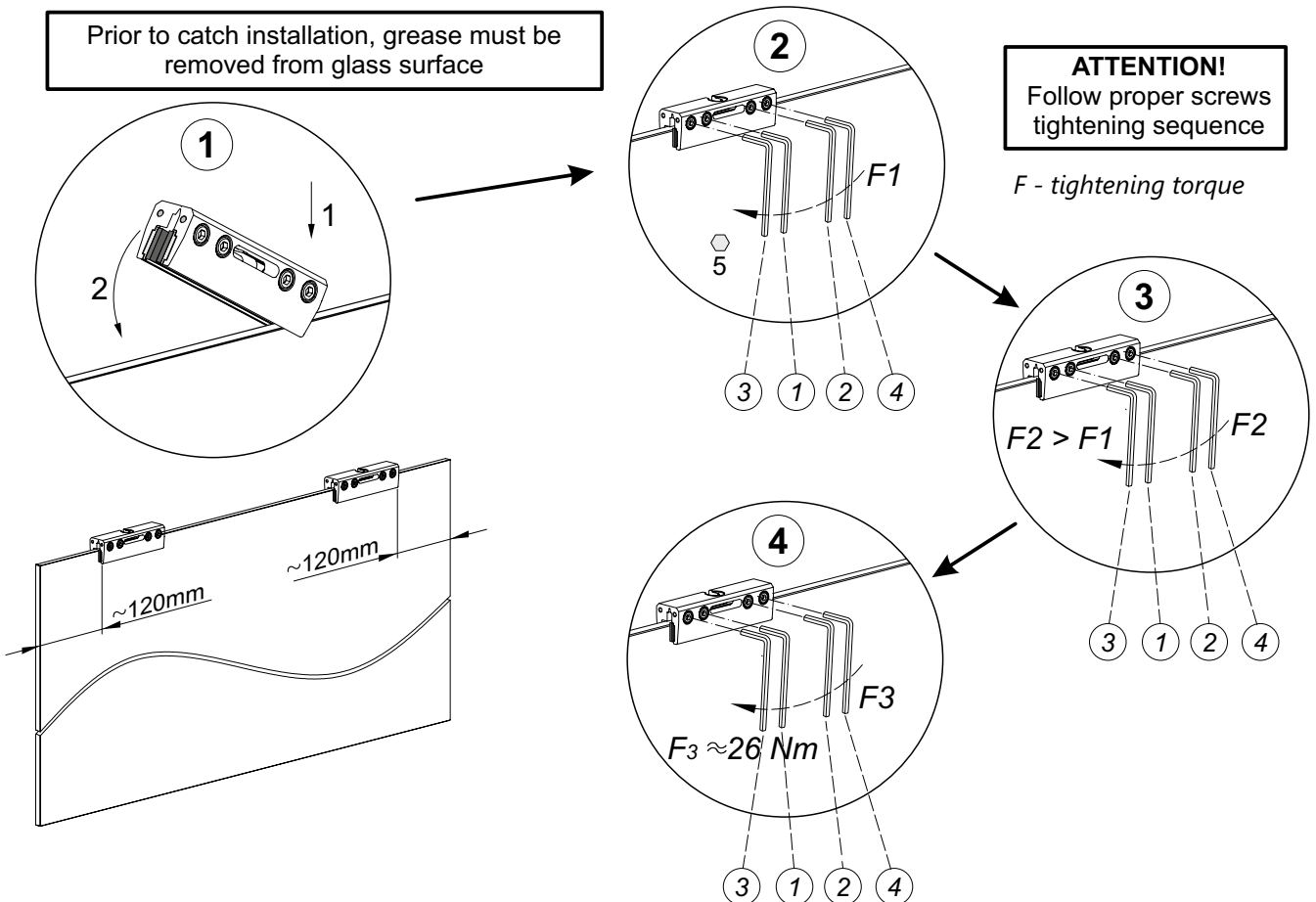


Assembly of Herakles Glass clamps on glass

Prior to catch installation, grease must be removed from glass surface

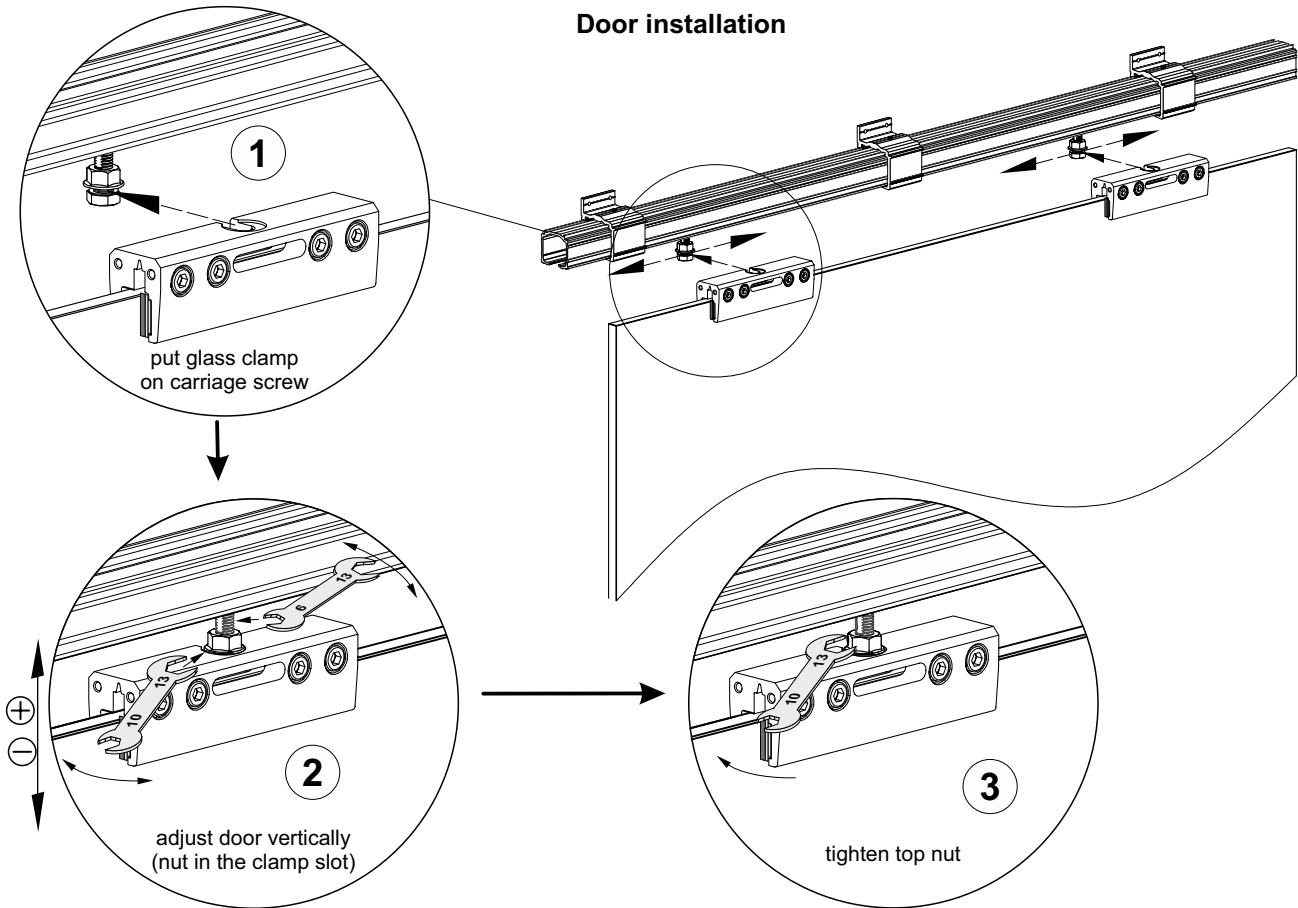
ATTENTION!
Follow proper screws tightening sequence

F - tightening torque

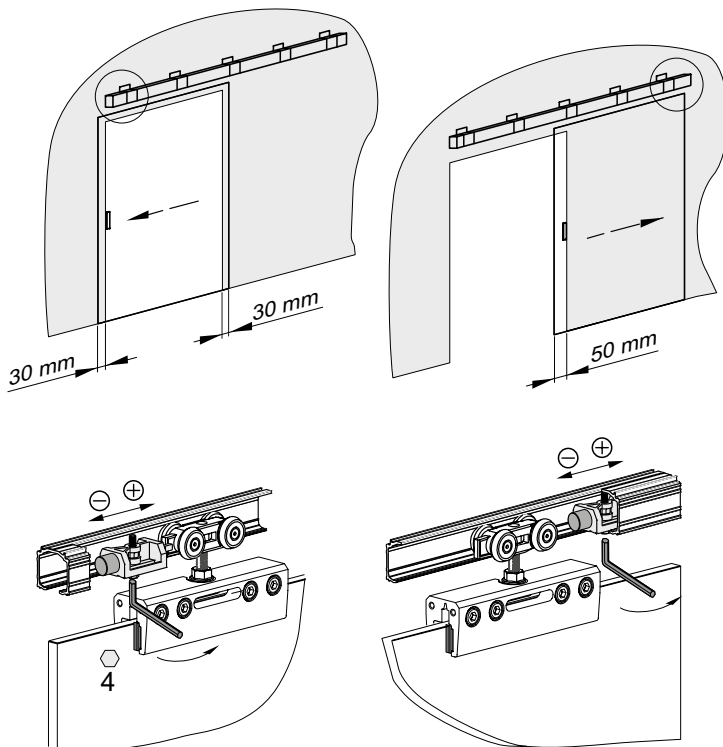




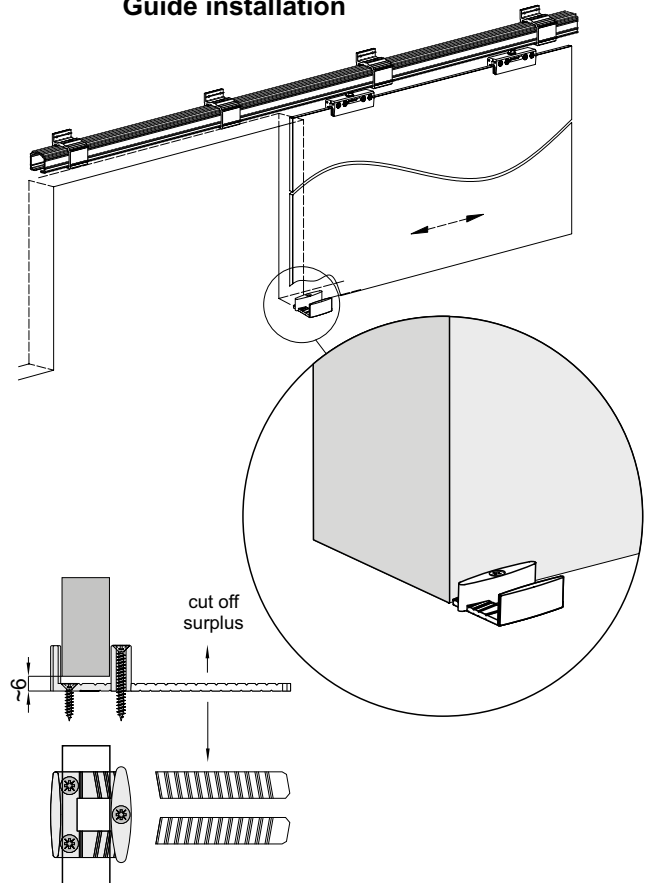
Door installation



Horizontal door adjustment

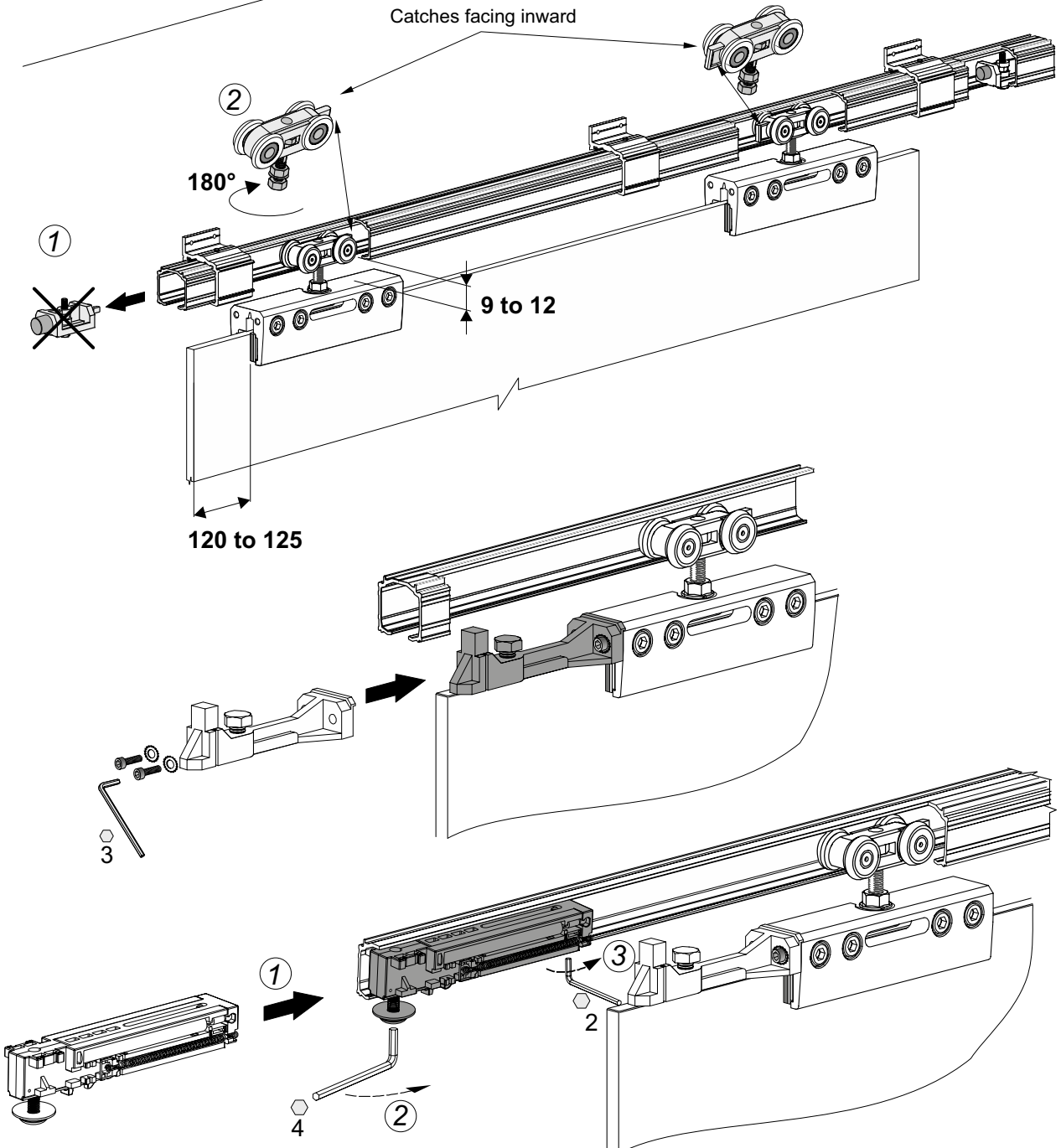
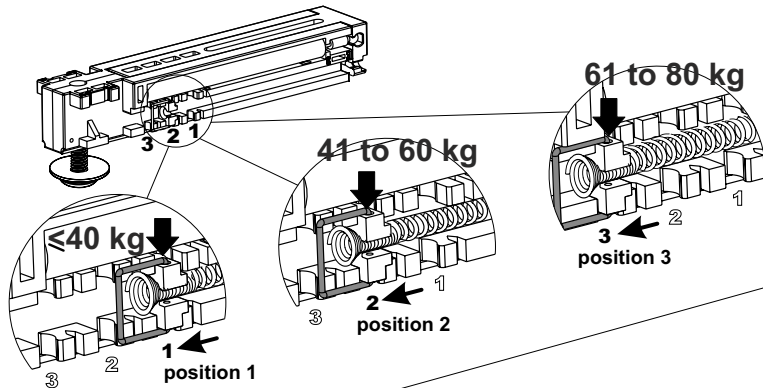


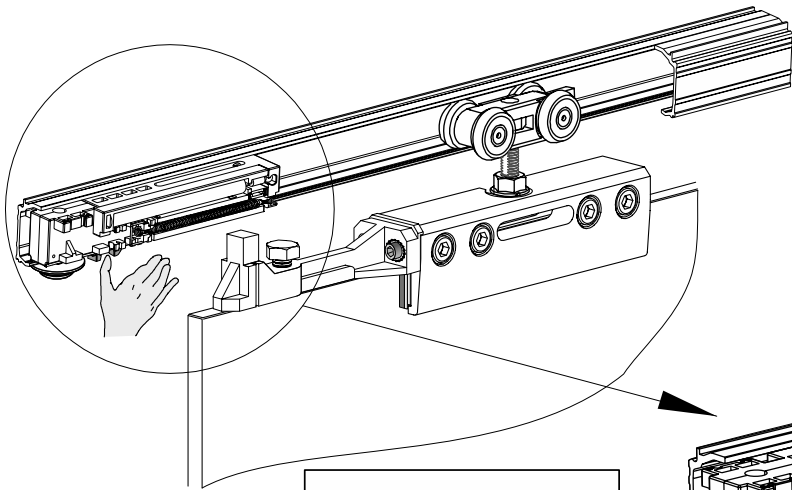
Guide installation



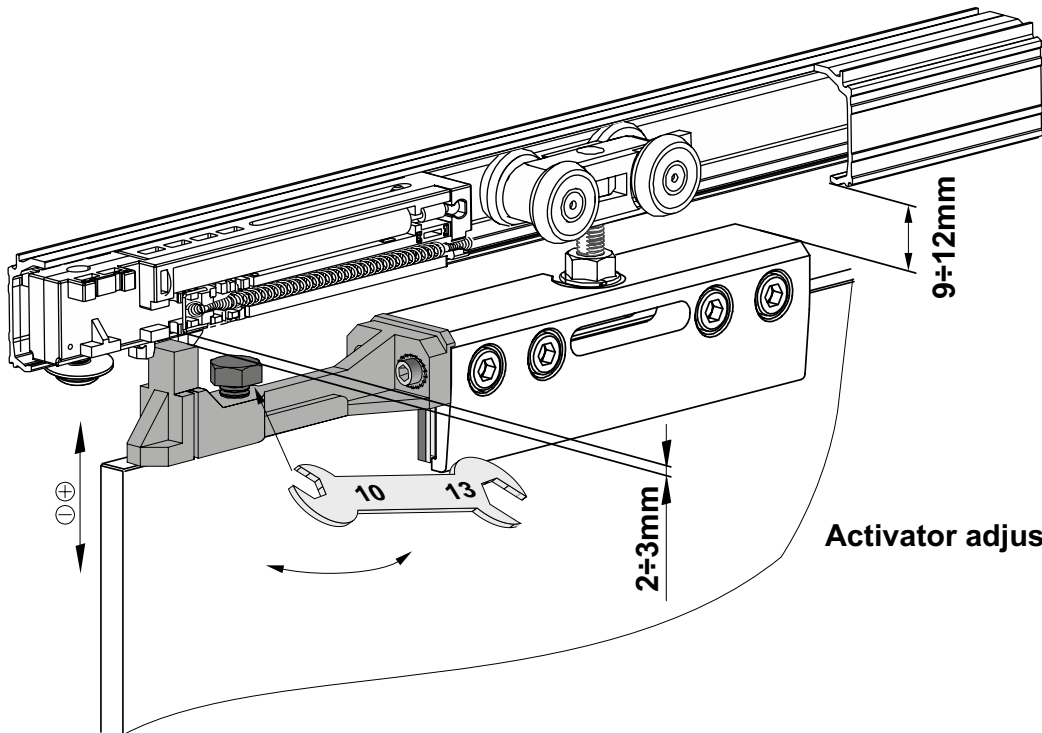
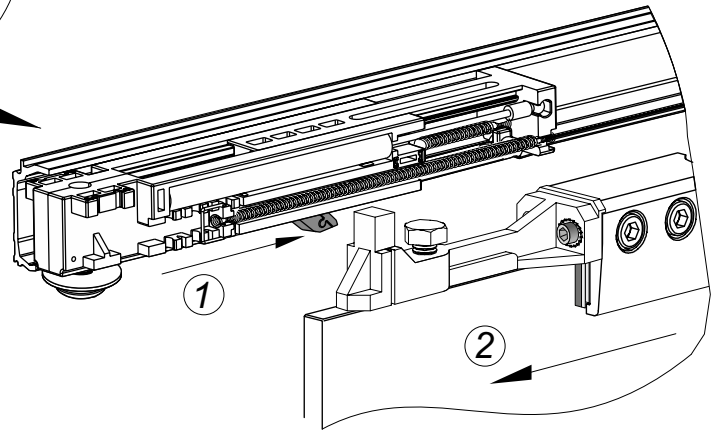
Soft-close Herakles 40-80 kg

Soft-close strength regulation
for Herakles 40-80 kg with use of spring





ATTENTION!
The soft-close catch
should be loaded
before inserting the door.



Activator adjustment