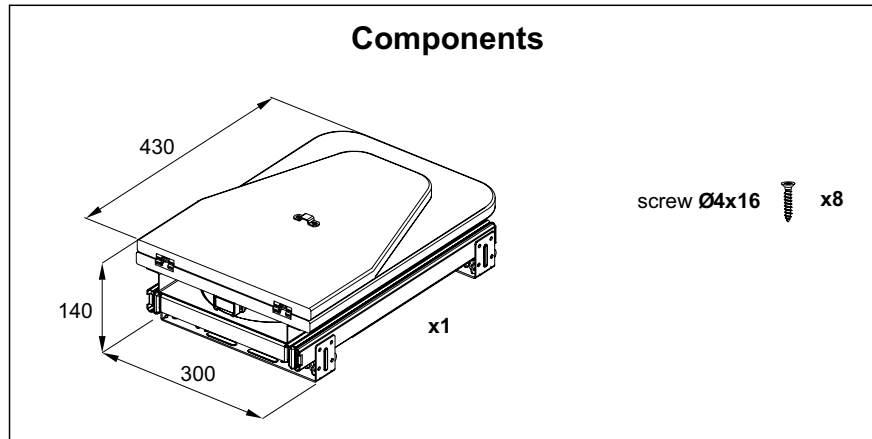
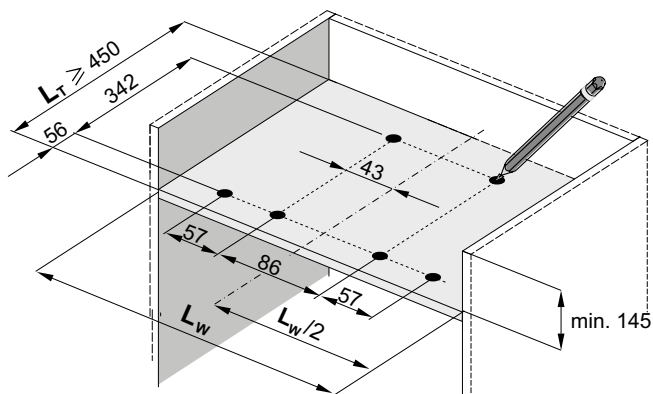
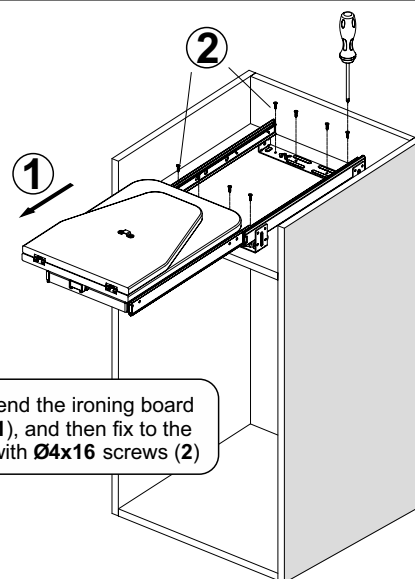




## Pull-out ironing board

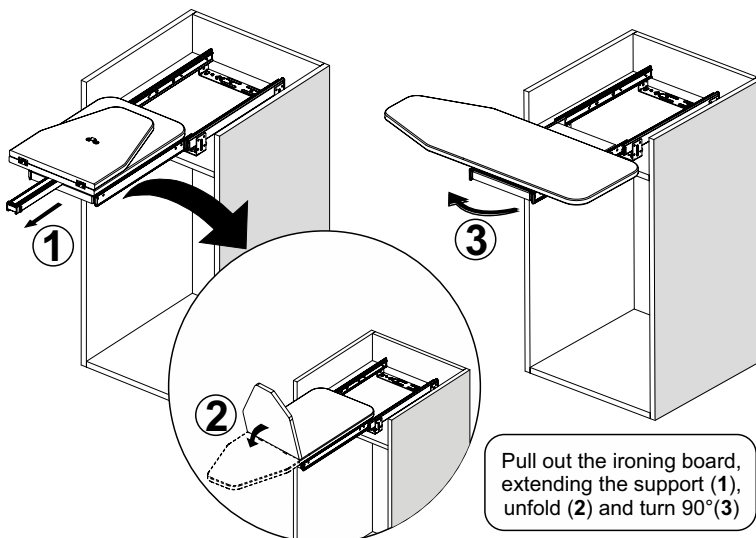
**1. Ironing board installation**

$L_W$  - internal carcass segment width [mm]  
 $L_T$  - internal carcass segment depth [mm]



Fully extend the ironing board guides (1), and then fix to the carcass with  $\text{\O}4\times16$  screws (2)

**Note:** The set includes screws  $\text{\O}4\times16$

**2. Extending the ironing board****3. Folding away the ironing board**