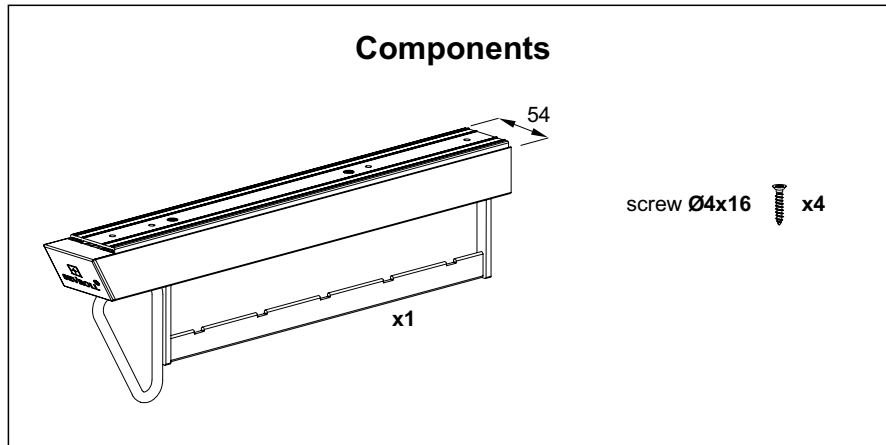


Pull-out hanger



1. Installation of the pull-out hanger

