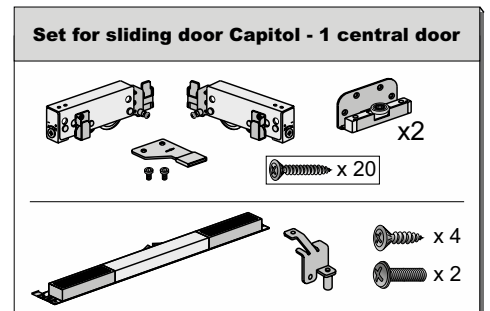
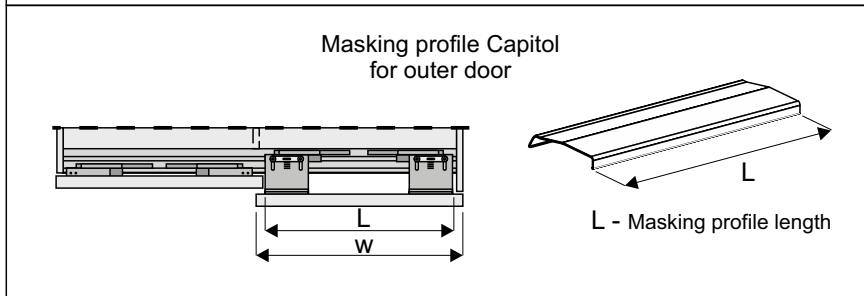
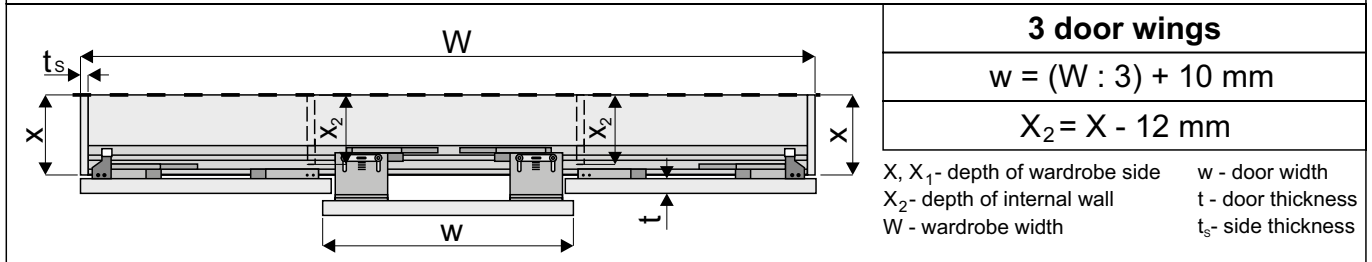
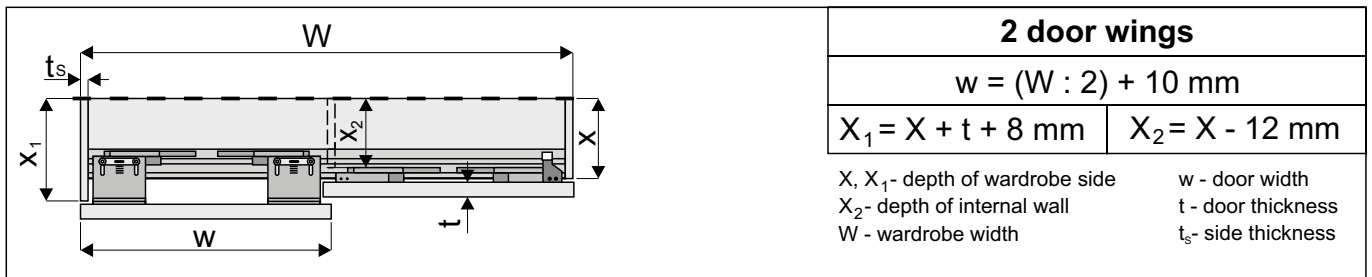


Attention!
In order to eliminate door bowing (caused by low quality board) with system Capitol it is recommended to fit distancing guides Capitol.



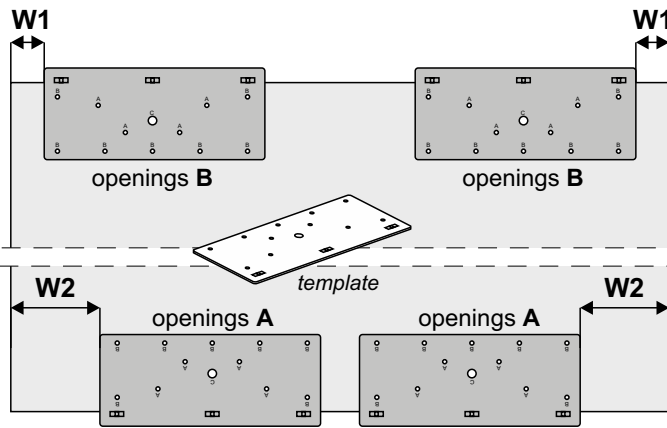
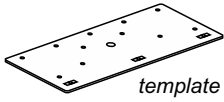
COMPONENTS

<p style="text-align: center;">Top track Capitol</p> <p>L: 2,00 m, 3,00 m, 5,00 m</p>	<p style="text-align: center;">Bottom track Capitol</p> <p>L: 2,00 m, 3,00 m, 5,00 m</p>	<p style="text-align: center;">Set for sliding door Capitol - 2 door wings (inner and outer)</p>	<p style="text-align: center;">Masking profile Capitol</p> <p>L: 1,00 m, 1,50 m</p>
----------------------------------------------------------------------------------------------	-------------------------------------------------------------------------------------------------	---------------------------------------------------------------------------------------------------------	--------------------------------------------------------------------------------------------



Carriage fastening

①
drill openings
using template

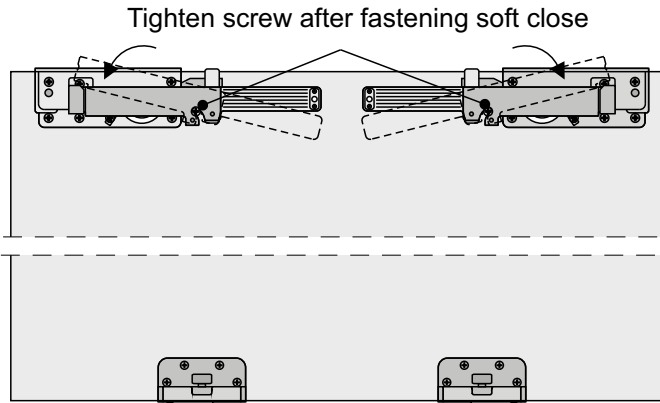


$W1 = \text{min. } 25 \text{ mm} + t_s$

$W2 = \text{min. } 100 \text{ mm} + t_s$
(with lower bumper stoppers)

$W2 = \text{min. } t_s$
(without lower bumper stoppers)

②
fasten top carriages
and soft close
mechanisms

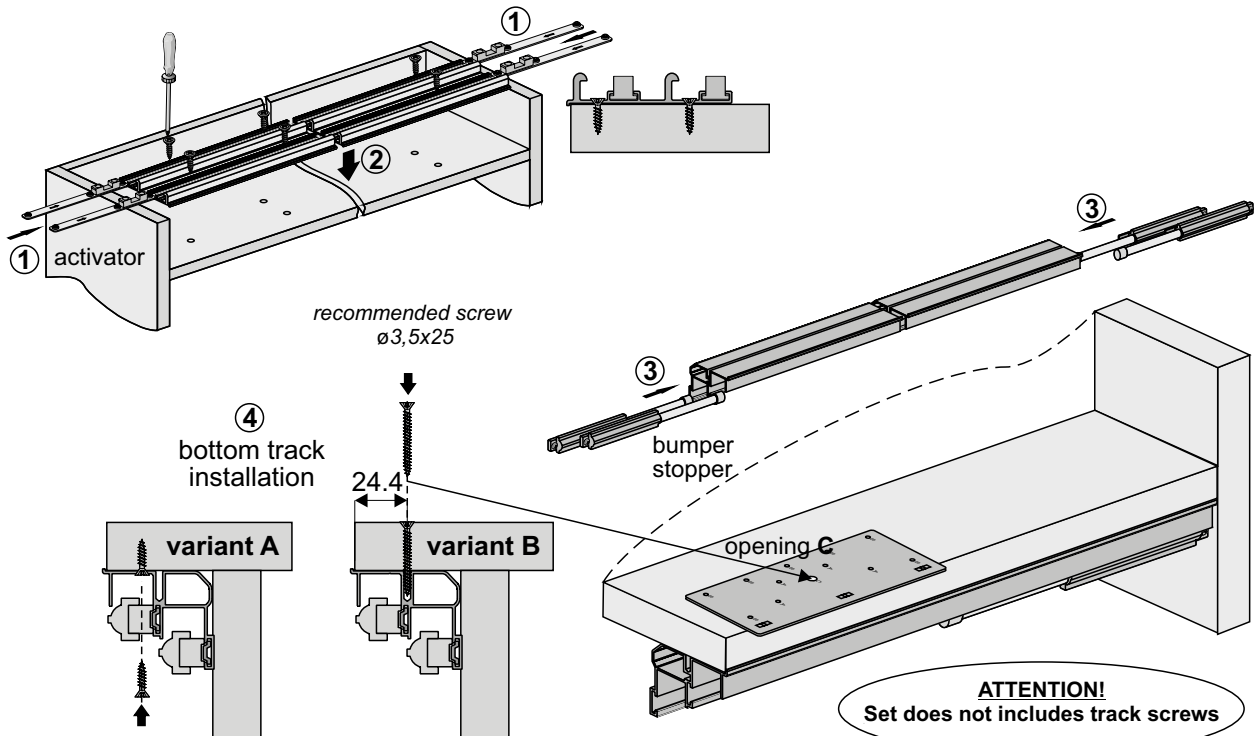


Tighten screw after fastening soft close

③
fasten bottom
carriages

ATTENTION
We recommend using Sevrill's door
straightening kit with this system.

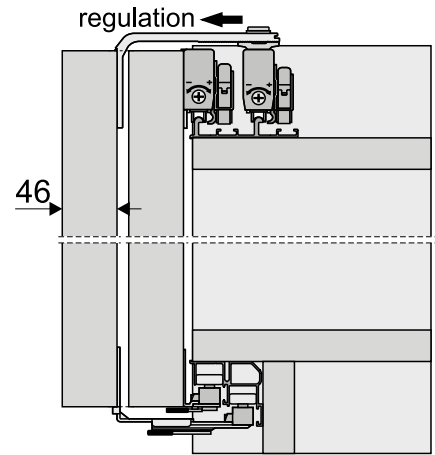
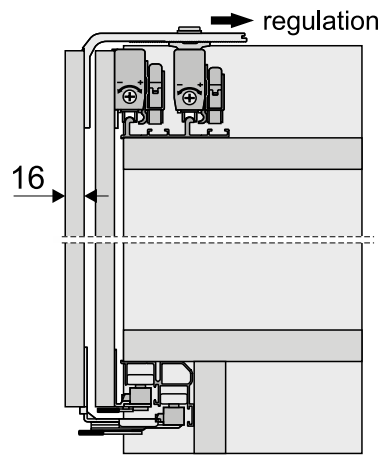
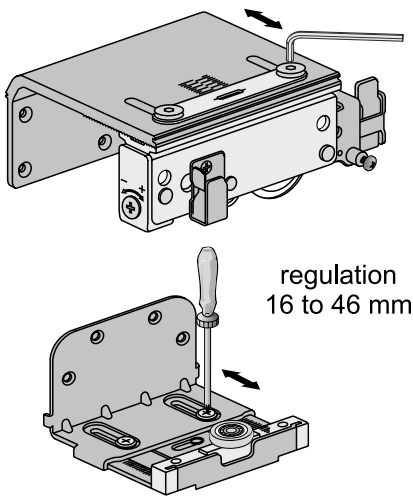
Track installation



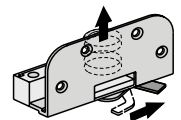
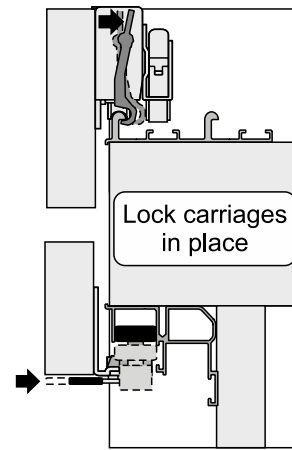
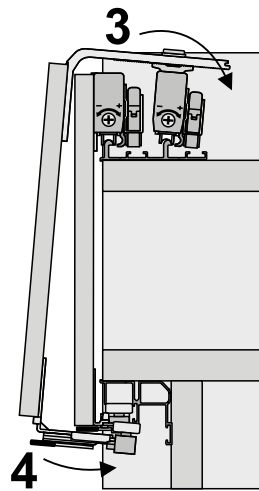
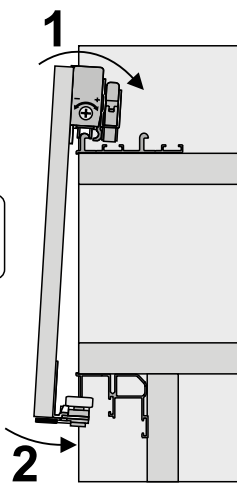
ATTENTION!
Set does not includes track screws

Door installation

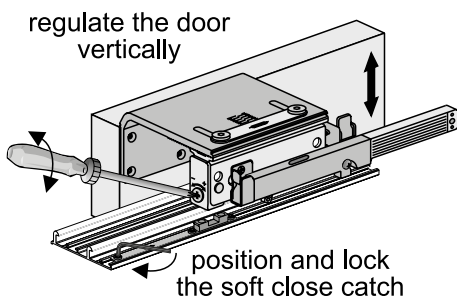
Depending on door thickness used, **prior to assembly**, the external guides need to be adjusted correctly



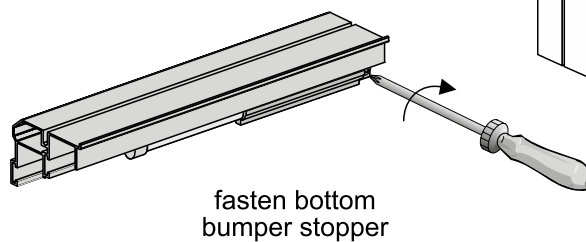
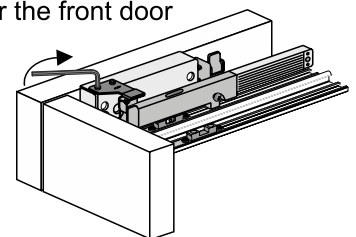
door assembly order

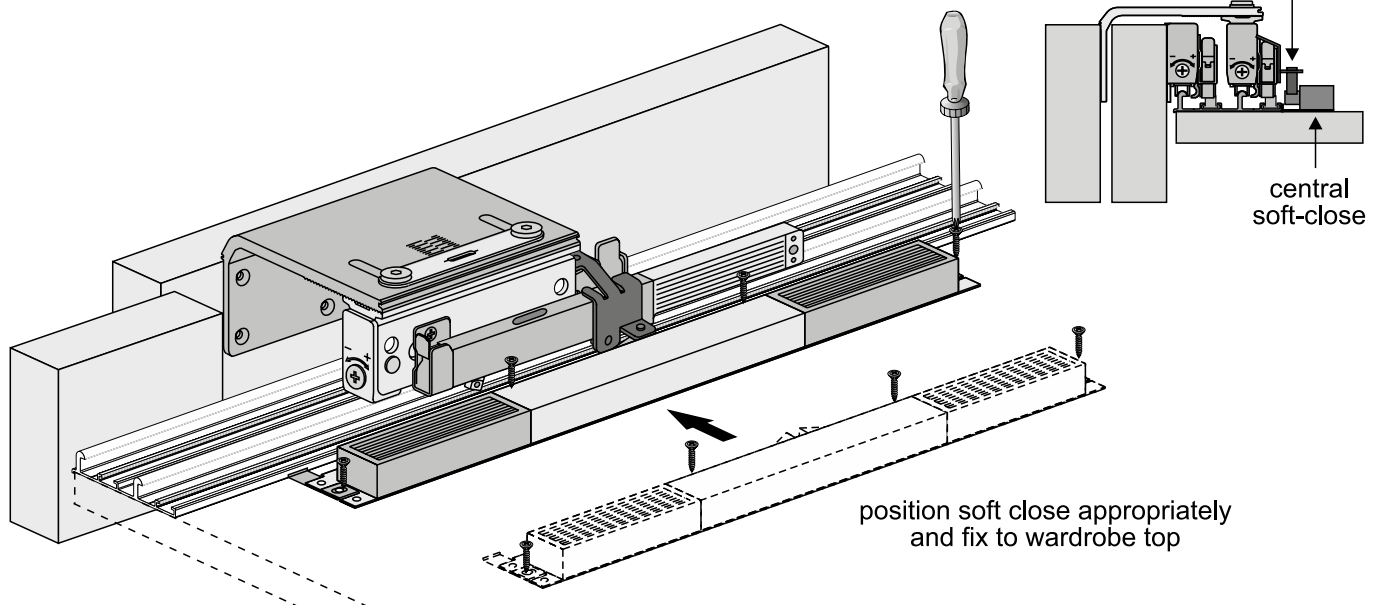
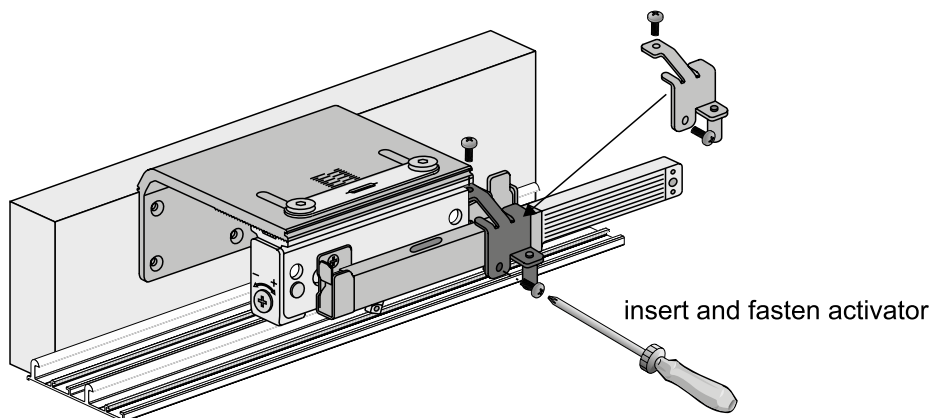
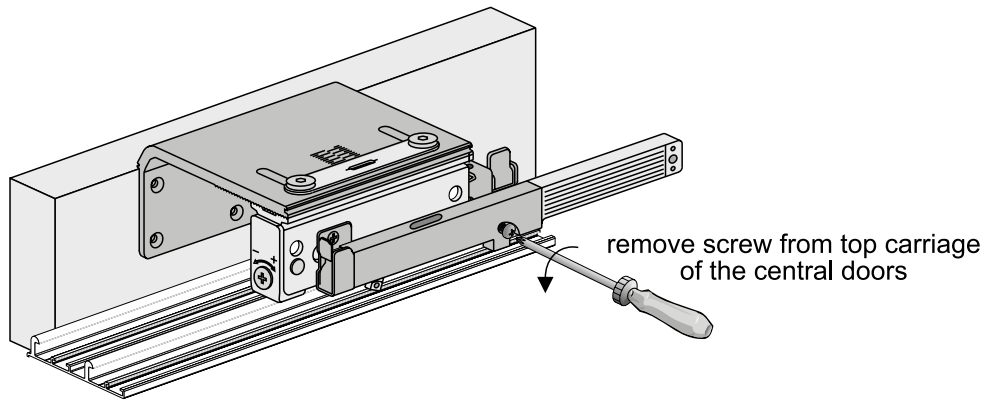
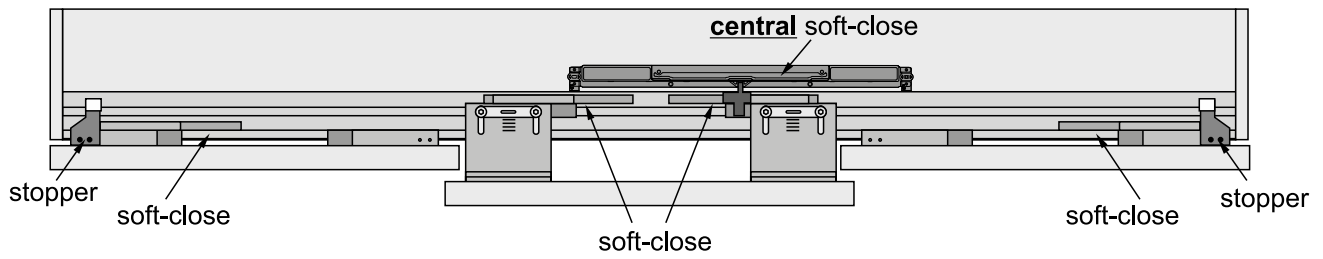


Adjustment



fasten stopper
for the front door

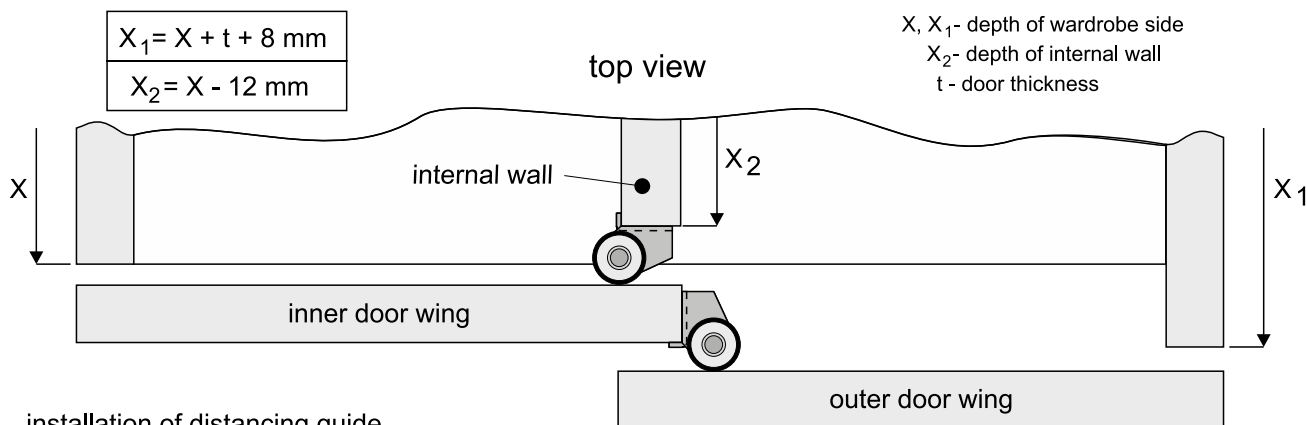



Set for three wings – assembly of central soft-close


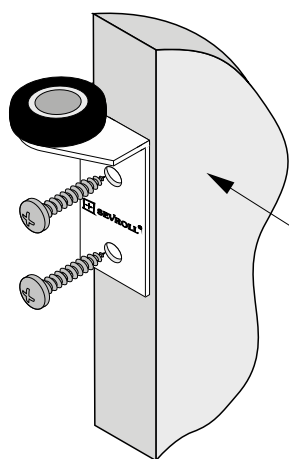


INSTALLATION OF DISTANCING GUIDES CAPITOL

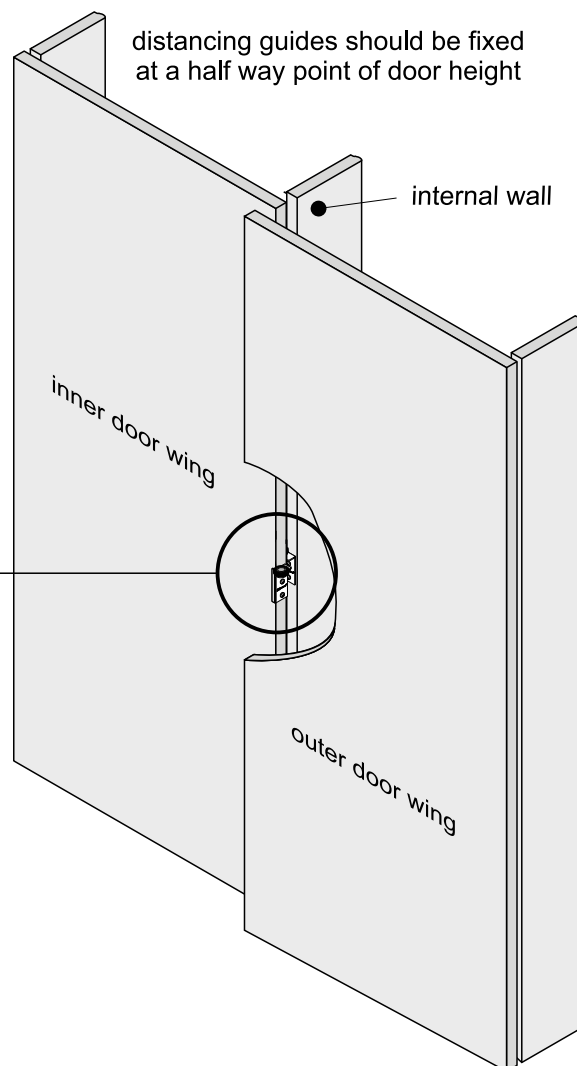
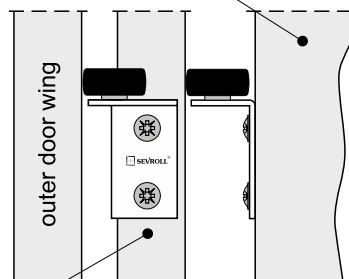
Guides are fitted in order to eliminate door bowing (caused by low quality board)



installation of distancing guide on internal wall



distancing guides should be fixed at a half way point of door height



installation of distancing guide on inner door wing

